

EM PET
P R E F O R M S



PET PREFORMS

QUALITY PACKAGING DESERVES WORLD-CLASS PREFORMS



 **INTERGULF-EMPOL**
AN IFFCO GROUP COMPANY

P.O. Box 6131, Sharjah, UAE, Tel: +971 6 502 9000, Fax: +971 6 528 5720, e-mail: empol@iffco.com, www.empol.com, www.iffco.com
Sales / Marketing: Tel: +971 6 5029246

 **EMPAK (AFRICA) LIMITED**
AN IFFCO GROUP COMPANY

Free Port Zone - 7, Mer Rouge, Ware house N-1, Port Louis, Mauritius,
Tel :+230 217 6328, + 230 217 6329, +230 217 6330, + 230 217 6331, Fax - +230 217 6475,
www.iffco.com



“The quality of leaders is reflected in the standards they set for themselves.”



ISO 9001
BUREAU VERITAS
Certification



www.empol.com

Quality and value beyond your expectations, with world-class products and services."

With current annual capacity of over 3 billion units, makes INTERGULF - EMPOL & EMPAK one of the largest manufacturer of PET Preforms and closures in Middle East & African region. EMPET range of preforms include specifically for, mineral Water, Carbonated soft drinks, edible oils, fresh & UHT milk / juices & ketchup. The versatility & wide range, combined with highest quality standards, and unsurpassed service levels to fulfill the needs of customers worldwide.

INTERGULF - EMPOL & EMPAK is the only PET Preform and Closure manufacturer in the Middle East & African region that offers , concept to completion services,

- Preform selection based on bottle design
- Bottle design
- Prototyping, performance testing
- Mold Manufacturing
- On site Process support





Quality Assurance:

stringent standards are maintained to ensure that performs produced and delivered to you are of the highest quality. Our Quality Assurance Lab. is equipped with Perkin Elmer GC / DSC / TGA, Llyods Melt Viscometer, AGR Topwave, Metrohm Karl Fischer, Mecmessin etc.. Our facility is also ISO 9001, ISO 22000 and HACCP certified.



Warehousing & Logistics

Adequate warehousing & inhouse trucking and logistics supports, for just in time deliveries to you.

EMPET Value + Design Development & Mold Manufacturing Service:

Your Bottle idea transformed from concept to production at unmatched turnaround speeds.

Our investment in skilled resource base of more than 20 dedicated designers, Engineers & Technicians supported by latest CAD-CAM (Pro-E Wildfire, Pro-Mfg., Autodesk Inventor & Edgecam) design software combined with the state of the art mold manufacturing, onsite installation & commissioning service ensures precision and reliability of molds & machine specific adaptation parts are delivered to you at unmatched speeds.

This vital innovative & cost effective PET bottle design & development service we provide enables consumer product manufacturers to differentiate their products & maintain and stay in lead in the ever changing market place.



EMPET'S Design & development teams's involvement with our customers starts right from the early stage of a product development idea to create unique cost effective & functional PET bottles right from conceptual bottle designs to 3-D solid modeling & shelf ready bottle samples from unit cavity molds, production molds and customized adaptation parts for almost all well known European Stretch Blow molding Machines & down stream filling labeling & capping lines.





“Infinite ability to evolve, improve and deliver excellence”



PETGard®

SPECIALITY PREFORMS:

PET GARD monolayer barrier preforms for the following applications:

- PET GARD + CO2 barrier single serve CSD 250-500 ML
- PET GARD + O2 barrier
- PET GARD + LS (UV light barrier)
- PET GARD + HF (Hot Fill application)
- PET GARD ++ (CO2 + O2 barrier)
- PET GARD +++ (CO2 + O2 + UV barrier)

300 ml / 400 ml /500 ml.SSPET CSD bottles and 380 / 500 ml Hot fill Juice bottles have been launched in the region.

Further details are provided on request..

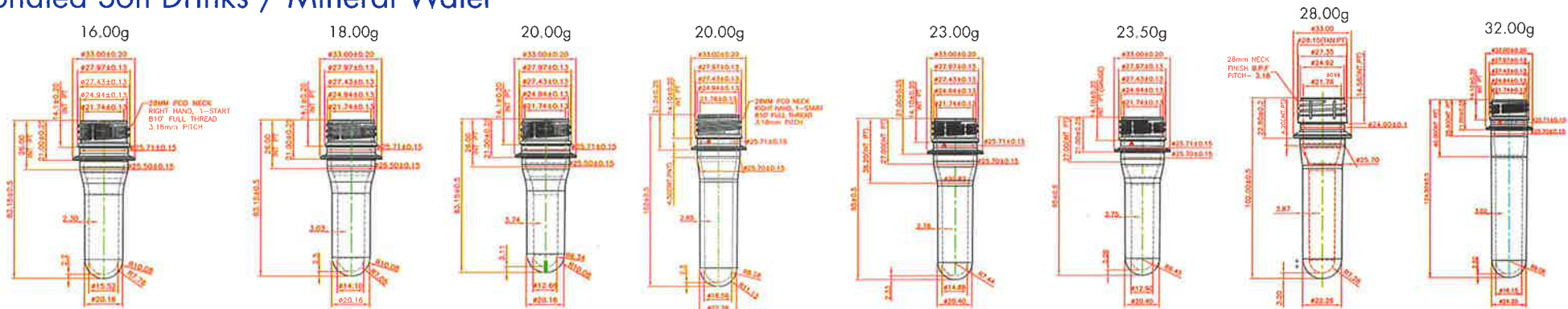


PET Preforms - PCO 1810 Neck Finish



Carbonated Soft Drinks / Mineral Water

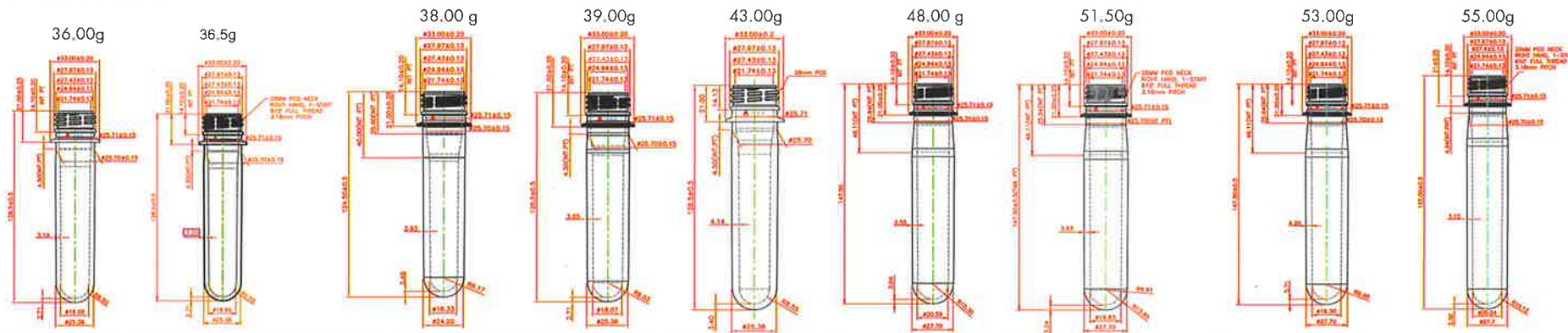
Description



Ref No	10140151	10140126	10140125	10140103	10140137	10140100	10130053	10140113
Total Length	83.15 mm	83.15 mm	83.15 mm	95.00 mm	102.00 mm	95.00 mm	102.00 mm	124.50 mm
Neck Finish	28 mm PCO	28 mm PCO	28 mm PCO	28 mm PCO	28 mm PCO	28 mm PCO	28 mm PCO	28 mm PCO
Support ring Dia	33.00 mm	33.00 mm	33.00 mm	33.00 mm	33.00 mm	33.00 mm	33.00 mm	33.00 mm
Preforms per Gaylord C Type	18,000	18,000	18,000	15,168	12,960	15,168	12,960	9,648
Gaylords per 40' HC FCL	44	44	44	44	44	44	44	44
Qty /40' HC FCL	792,000	792,000	792,000	667,392	570,240	667,392	570,240	424,512
No. of Pcs / Pack	1,656	1,656	1,656	1,440	1,250	1,440	1,250	864
No. of Pcs/Pack (Small Pack)x588 Cms	973,728	973,728	973,728	846,720	735,000	846,720	735,000	508,032

Carbonated Soft Drinks

Description

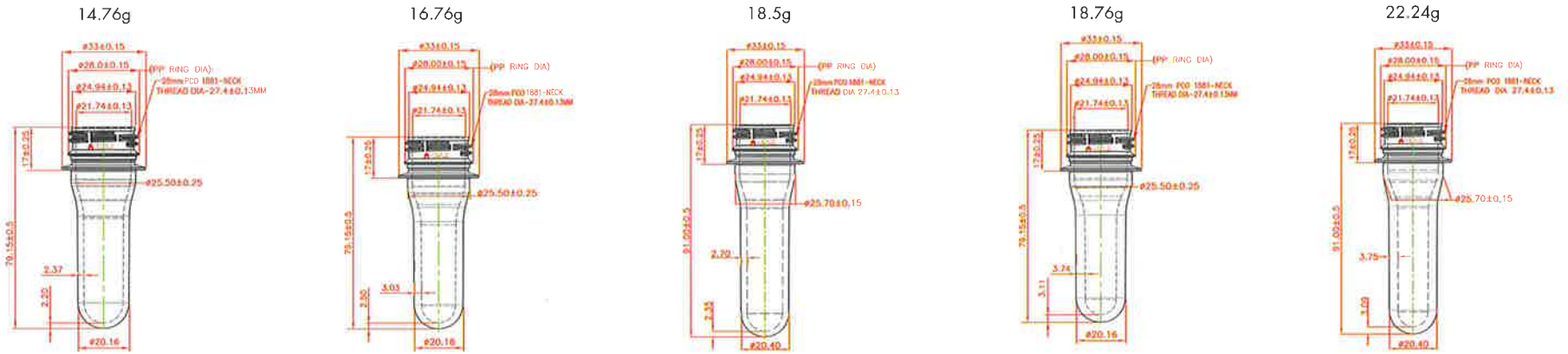


Ref No:	10140060	10140162	10140114	10140061	10140062	10140110	10140157	10140112	10130049
Total Length:	128.50 mm	128.50 mm	124.50 mm	128.50 mm	128.5 mm	147.5 mm	147.50 mm	147.50 mm	162.00 mm
Neck Finish:	28 mm PCO	28 mm PCO	28 mm PCO	28 mm PCO	28 mm PCO	28 mm PCO	28 mm PCO	28 mm PCO	28 mm PCO
Support Ring Dia:	33.00 mm	33.00 mm	33.00 mm	33.00 mm	33.00 mm	33.00 mm	33.00 mm	33.00 mm	33.00 mm
Preforms per Gaylord	8,568	8,568	9,648	8,568	8,568	6,768	6,768	6,768	5,832
Gaylords per 40' HC FCL:	44	44	44	44	44	44	44	44	44
Qty /40' HC FCL	376,992	376,992	424,512	376,992	376,992	297,792	297,792	297,792	256,608
No. of Pcs / Pack	792	792	864	792	792	648	648	648	N/A
No. of Pcs/Pack (Small Pack)x588 Cms	465,696	465,696	508,032	465,696	465,696	381,024	381,024	381,024	N/A

PET Preforms - PCO 1881 Neck Finish

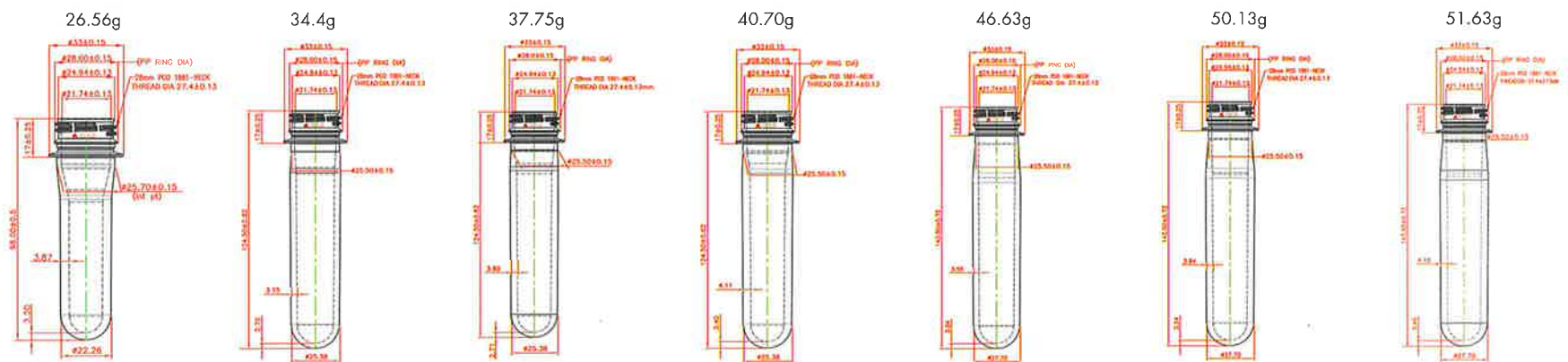


PRODUCT



Ref No	10140172	10140174	10140163	10140169	10140168
Total Length	79.15 mm	79.15 mm	91 mm	79.15 mm	91 mm
Neck Finish	28mm PCO 1881	28mm PCO 1881	28mm PCO 1881	28mm PCO 1881	28mm PCO 1881
Support Ring Dia	33.0 mm	33.0 mm	33.0 mm	33.0 mm	33.0 mm
Preforms per Gaylord	20,016	20,016	16,608	20,016	16,608
Gaylords per 40' HC FCL	44	44	44	44	44
Qty / 40' HC FCL	880,704	880,704	730,752	880,704	730,752
Preforms per Small Carton	1800	1800	1536	1800	1536
Qty / Pack X 588 cartons	1,058,400	1,058,400	903,168	1,058,400	903,168

PRODUCT



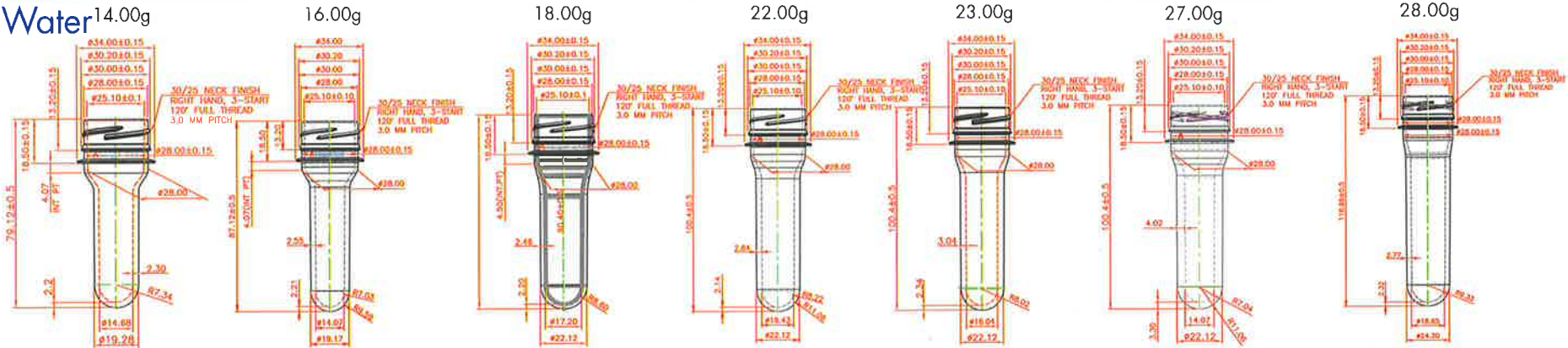
Ref No	10140170	10140178	10140173	10140180	10140171	10140176	10140177
Total Length	98 mm	124.5 mm	124.5 mm	124.5 mm	143.5 mm	143.5 mm	143.5 mm
Neck Finish	28mm PCO 1881	28mm PCO 1881	28mm PCO 1881	28mm PCO 1881	28mm PCO 1881	28mm PCO 1881	28mm PCO 1881
Support Ring Dia	33.0 mm	33.0 mm	33.0 mm	33.0 mm	33.0 mm	33.0 mm	33.0 mm
Preforms per Gaylord	14,040	9,648	9,648	9,648	7,200	7,200	7,200
Gaylords per 40' HC FCL	44	44	44	44	44	44	44
Qty / 40' HC FCL	617,760	424,512	424,512	424,512	316,800	316,800	316,800
Preforms per Small Carton	1296	864	864	864	648	648	648
Qty / Pack X 588 cartons	762,048	508,032	508,032	508,032	381,024	381,024	381,024

PET Preforms - 30/25 Neck Finish



Mineral Water 14.00g

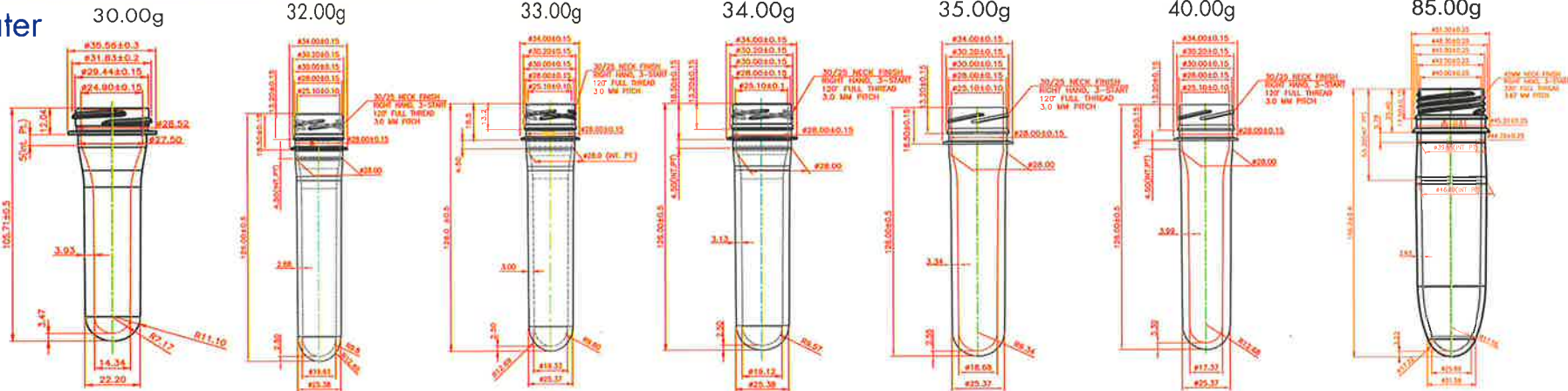
Description



Ref No	10140035	10140128	10130045	10140144	10140034	10140239	10140118
Total Length	79.12 mm	87.12 mm	90.40 mm	104.00 mm	100.40 mm	100.4mm	119.00 mm
Neck Finish	30/25 High	30/25 High	30/25 High	30/25 High	30/25 High	30/25	30/25 High
Support ring Dia	34.00 mm	34.00 mm	34.00 mm	34,00	34.00 mm	34	34.00 mm
Preforms per Gaylord C Type	19,080	16,560	15,120	12,960	12,960	12,960	9,936
Gaylords per 40'HC FCL	44	44	44	44	44	44	44
Qty /40'HC FCL	839,520	728,640	665,280	570,240	570,240	570,240	437,184
No. of Pcs / Pack	1,800	1,656	1,288	1,250	1,250	1,250	864
No. of Pcs/Pack (Small Pack)x588 Cms	1058,400	973,728	757,344	735,000	735,000	735,000	508,032

Mineral Water 30.00g

Description



Ref No	10140242	10140087	10140156	10140024	10130011	10130038	10130146
Total Length	118.99mm	126.00 mm	126.00 mm	126.00 mm	126.00 mm	126.00 mm	156.30
Neck Finish	30/25	30/25 High	30/25 High	30/25 High	30/25 High	30/25 High	45mm 3Start
Support ring Dia	34	34.00 mm	34.00 mm	34.00 mm	34.00 mm	34.00 mm	51.30mm
Preforms per Gaylord C Type	9648	8,568	8,568	8,568	8,568	8,568	2,880
Gaylords per 40'HC FCL	44	44	44	44	44	44	44
Qty /40'HC FCL	424,512	376,992	376,992	376,992	376,992	376,992	126,720
No. of Pcs / Pack	864	792	792	792	792	792	240
No. of Pcs/Pack (Small Pack)x588 Cms	508,032	465,696	465,696	465,696	465,696	465,696	141,120

PET Preforms- 29/25 Neck Finish



Mineral Water

Description 77g

8.5g

9.75g

12.3g

12.5g

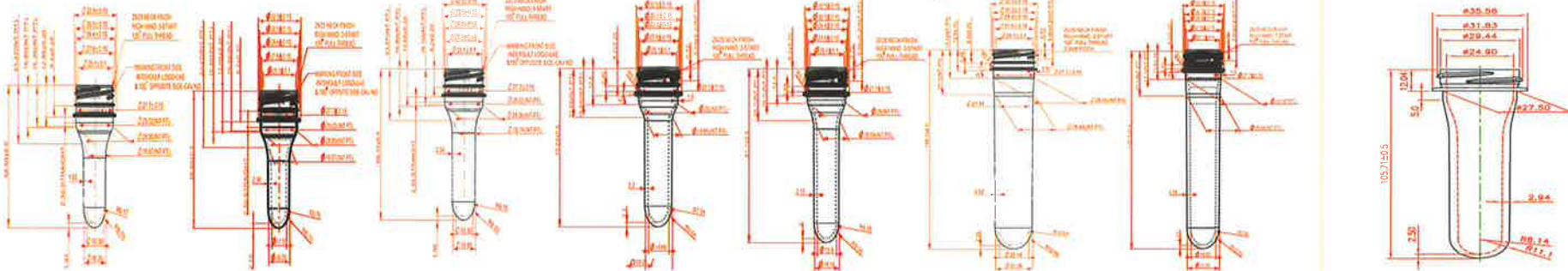
28.5g

30.2g

Tomato Ketchup / Mayonnaise

Description

25.00g



Ref No	10140190	10140189	10140188	10140190	10140189	10140237	10140188	10130019
Total Length	56.50mm	56.50mm	68.10mm	73.22mm	81.00mm	120.1mm	120.10 mm	105.70 mm
Neck Finish	29/25	29/25	29/25	29/25	29/25	29/25	29/25	M 33 SP 400
Support ring Dia	32.50mm	32.50mm	32.50mm	32.50mm	32.5mm	32.50mm	32.5mm	35.56 mm
Preforms per Gaylord C type	31968	31968	27000	23,184	22,176	9936	99,36	11,200
Gaylords per 40'HC FCL	44	44	44	44	44	44	44	44
Qty / 40'HC FCL	1,406,592	1,406,592	1,188,000	1020096	975,744	437,184	437,184	492,800
No. of Pcs / Pack	3024	3024	2448	2160	2016	936	936	N/A
No. of Pcs/Pack (Small Pack)x588 Cms	1,778,112	1,778,112	1,439,424	12,70,080	1185,408	550368	550,368	N/A

Edible Oil

Description

38.00g

43.00g

18.00g

26.00g

33.00g

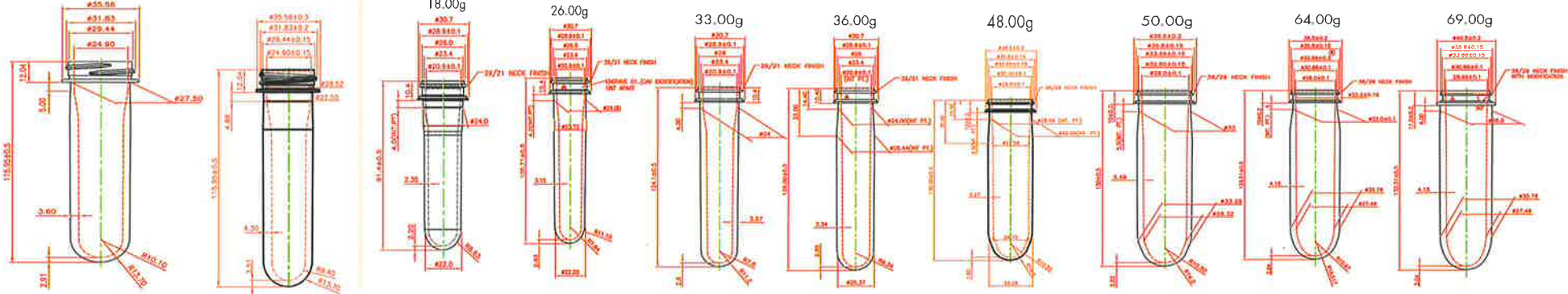
36.00g

48.00g

50.00g

64.00g

69.00g



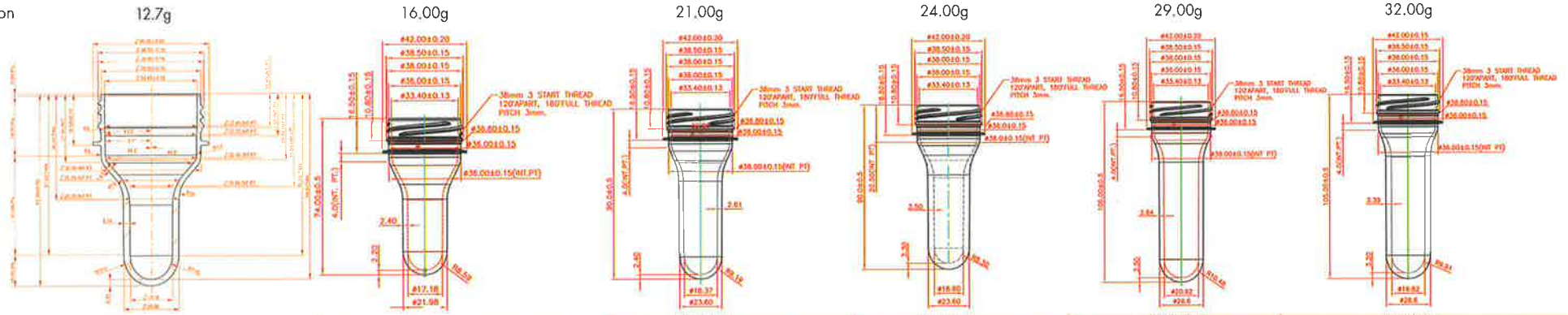
Ref No	10130021	10130082	10140071	10140084	10130005	10130081	10130186	10130008	10130009	10140047
Total Length	115.95 mm	115.95	91.40 mm	105.71 mm	124.1 mm	126.00 mm	130.00 mm	130.00 mm	133.51 mm	133.51 mm
Neck Finish	M 33 SP 400	M 33 SP 402	29/21 snap on neck	29/21 snap on neck	29/21 snap on neck	29/21 snap on neck	36/29 snap on neck	36/29 snap on neck	36/29 snap on neck	36/29 snap on neck
Support ring Dia	35.56 mm	35.56	30.70 mm	30.70 mm	30.70 mm	30.70 mm	38.5 mm	38.50 mm	38.50 mm	40.50 mm
Preforms per Gaylord	8,250	8,250	16,640	13,440	10,750	9,600	6,200	6,200	5,312	5,312
Gaylords per 40'HC FCL	44	44	44	44	44	44	44	44	44	44
Qty / 40'HC FCL	363,000	363,000	732,160	591,360	473,000	422,400	272,800	272,800	233,728	233,728
No. of Pcs / Pack	N/A	864	1,536	1,216	864	896	550	550	480	N/A
No. of Pcs/Pack (Small Pack)x588 Cms	N/A	508,032	903,168	715,008	508,032	526,848	323,400	323,400	282,240	N/A

PET Preforms - 38mm Neck Finish



Milk / Juices

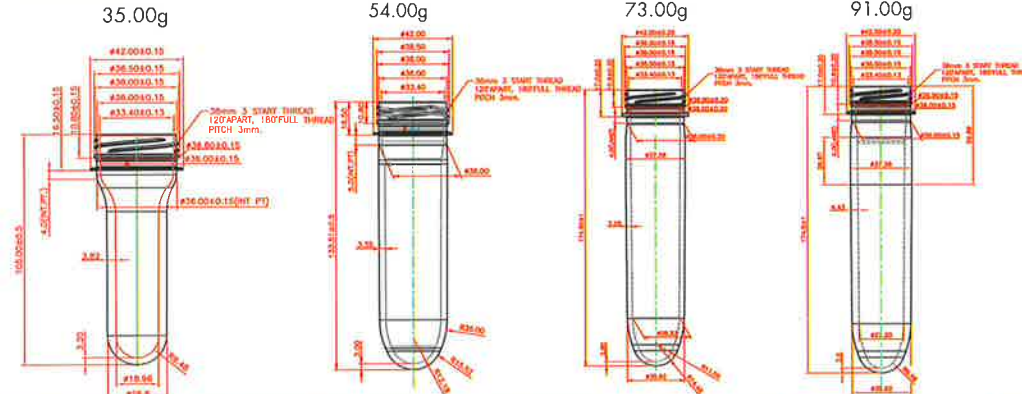
Description



Ref No	10140224	10130039	10140086	10140101	10130040	10130074
Total Length	61.56mm	74.00 mm	90.00 mm	90.00 mm	105.00 mm	105.00 mm
Neck Finish	38mm 3 start	38 mm 3 start	38 mm 3 start	38 mm 3 start	38 mm 3 start	38 mm 3 start
Support ring Dia	42.00mm	42.00 mm	42.00 mm	42.00 mm	42.00 mm	42.00 mm
Preforms per Pallet	18000	14,040	11,280	11,280	8,040	8,040
Gaylords per 40'HC FCL	44	44	44	44	44	44
Qty / 40'HC FCL	792,000	617,760	496,320	496,320	353,760	353,760
No. of Pcs / Pack	1500	1260	900	900	N/A	N/A
No. of Pcs/Pack (Small Pack)x588 Ctns	882,000	740,880	529,200	529,200	N/A	N/A

Milk / Juices

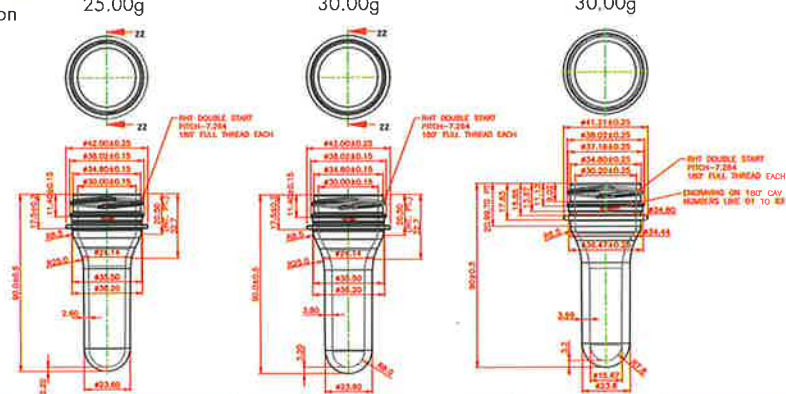
Description



Ref No	10130041	10130076	10130058	10130057
Total Length	105.00 mm	133.51 mm	174.50 mm	174.50mm
Neck Finish	38 mm 3 start	38 mm 3 start	38 mm 3 start	38mm 3 start
Support ring Dia	42.00 mm	42.00 mm	42.00 mm	42.00mm
Preforms per Pallet	8,040	5,152	3,520	3520
Gaylords per 40'HC FCL	44	44	44	44
Qty / 40'HC FCL	353,760	226,688	154,880	154,880
No. of Pcs / Pack	N/A	448	N/A	352
No. of Pcs/Pack (Small Pack)x588 Ctns	N/A	263424	206,976	206976

Hot Fill

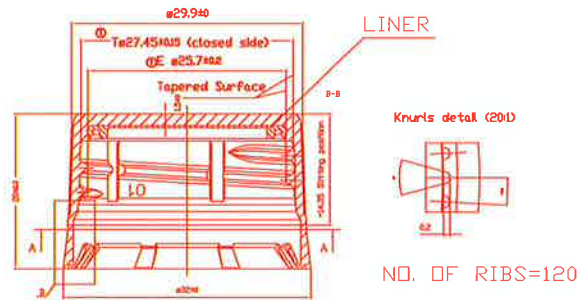
Description



Ref No	10140119	10140124	10140102
Total Length	90.00 mm	90.00 mm	90.00 mm
Neck Finish	38 mm 2 start	38 mm 2 start	38 mm 2 start
Support ring Dia	42.00 mm	42.00 mm	42.00 mm
Preforms per Pallet	11,280	44	11,280
Pallets per 20'/40'HC FCL	44	44	44
Qty / 40'HC FCL	496,320	496,320	496,320
No. of Pcs / Pack	900	900	900
No. of Pcs/Pack (Small Pack)x588 Ctns	529,200	529,200	529,200

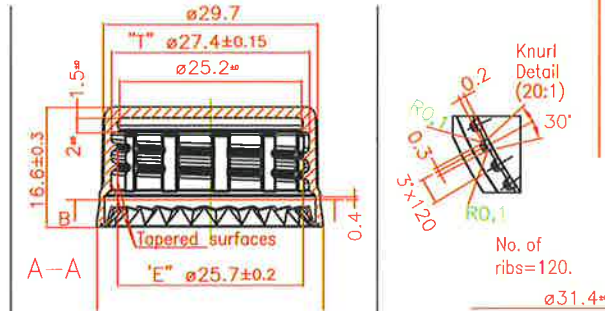
PCO 1810 Neck Finish - CSD

Product	3,17g
Ref No	10450026
Total Length	29.9 mm
Total Diameter	20.0 mm
Neck Finish	28mm PCO 1810
Caps per Carton	5,000
Pallets per 40' HC FCL	20
Qty / 40' HC FCL	2,500,000
Qty / Pack X 600 cartons	3,000,000



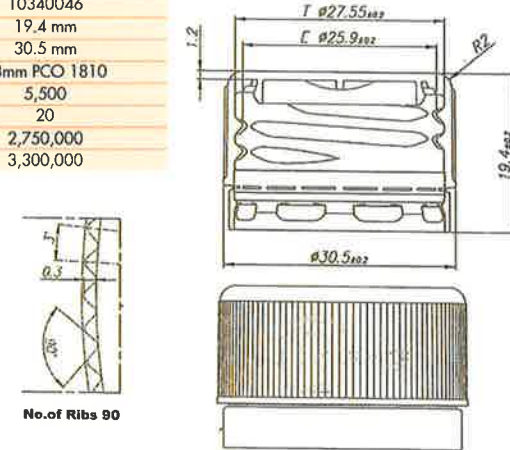
PCO 1881 Neck Finish - CSD

Product	2,80g
Ref No	10340052
Total Length	16.6 mm
Total Diameter	29.7 mm
Neck Finish	28mm PCO 1881
Caps per Carton	6,000
Pallets per 40' HC FCL	20
Qty / 40' HC FCL	3,000,000
Qty / Pack X 600 cartons	3,600,000



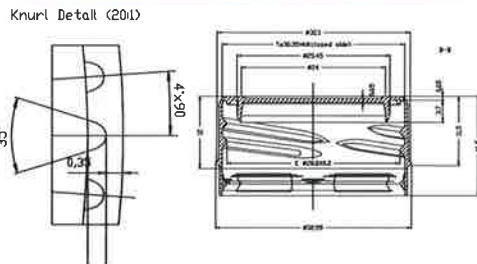
PCO 1810 Neck Finish Single piece

Product	2,86g
Ref No	10340046
Total Length	19.4 mm
Total Diameter	30.5 mm
Neck Finish	28mm PCO 1810
Caps per Carton	5,500
Pallets per 40' HC FCL	20
Qty / 40' HC FCL	2,750,000
Qty / Pack X 600 cartons	3,300,000



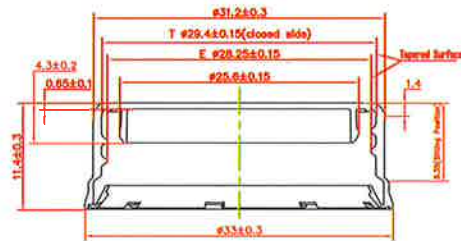
30/25 Neck Finish - Water

Product	1,75g
Ref No	10540027
Total Length	16.5 mm
Total Diameter	32.0 mm
Neck Finish	30/25 Neck Finish
Caps per Carton	6,000
Pallets per 40' HC FCL	20
Qty / 40' HC FCL	3,000,000
Qty / Pack X 600 cartons	3,600,000



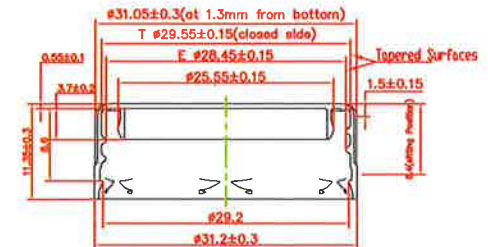
29/25 Neck Finish - Water

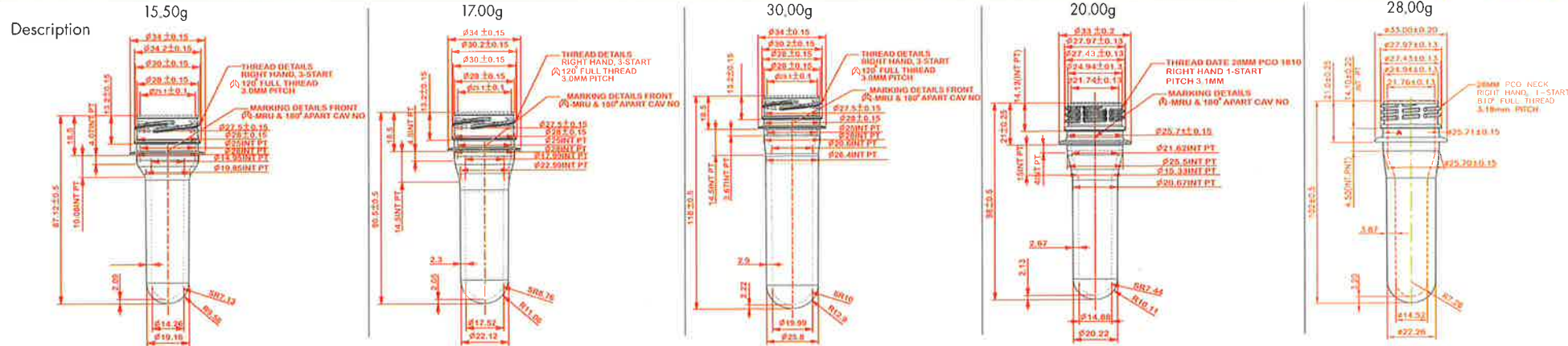
Product	1,3g
Ref No	10520030
Total Length	11.4 mm
Total Diameter	31.2 mm
Neck Finish	29/25 Neck Finish
Caps per Carton	5000
Pallets per 40' HC FCL	30
Qty / 40' HC FCL	3,600,000
Qty / Pack X 600 cartons	N/A



29/25 Closures Water

Weight	1,2 G
Drawing #	10520038
Total Height	11.35 MM
Total Diameter	31.2 MM
Neck Finish	29/25
Caps per Carton	6000
Pallets per 40' HC FCL	30
Qty / 40' HC FCL	4,320,000
Qty / Pack X 600 cartons	NA

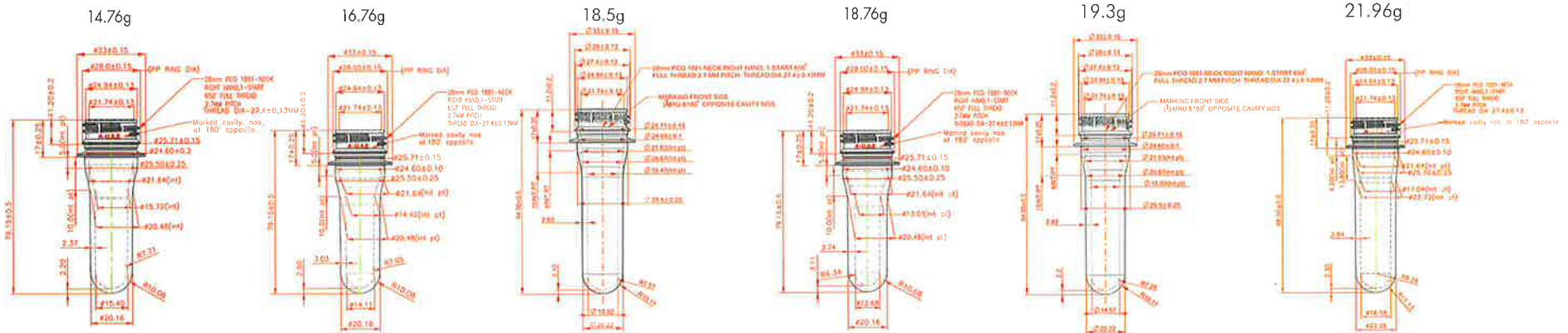




REF No	10140214	10140215	10140216	10140219	10130048
Total Length	87.12	90.40	118.00	98.00	102
Neck Finish	30-25 High Neck	30-25 High Neck	30-25 High Neck	28mm PCO 1810	28mm PCO 1810
Support Ring Dia	34.0	34.0	34.0	33.0	33.0
Qty / Pallet or Gaylord	16,560	15,120	9648	14040	12960
No of Pallet/ Gaylords/ 40' HC FCL	44	44	44	44	44
Pcs Per 40 HC	728640	665280	424512	617760	570240
Qty / Carton	1656	1288	864	1440	1250
No of Carton/40'HC FCL	588	588	588	588	588
Qty [Carton]/40'HC FCL	973728	757344	508032	846720	735000

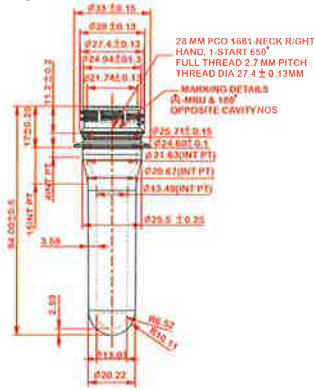
1881 NECK FINISH

Description

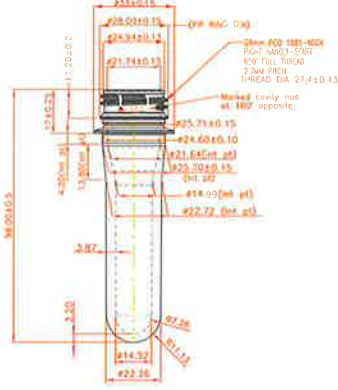


REF No	10140172	10140172	10140231	10140169	10140241	10140175
Total Length	79.15	79.15	94 MM	79.15	94 MM	94 MM
Neck Finish	28mm PCO 1881	28mm PCO 1881	28mm PCO 1881	28mm PCO 1881	28mm PCO 1881	28mm PCO 1881
Support Ring Dia	33.0	33.0	1881	33.0	1881	1881
Qty / Pallet or Gaylord	20016	20016	15168	20016	15168	14040
No of Pallet/ Gaylords/ 40' HC FCL	44	44	44	44	44	44
Pcs Per 40 HC	880704	880704	667,392	880704	667,392	617760
Qty / Carton	1800	1800	1440	1800	1440	1296
No of Carton/40'HC FCL	588	588	588	588	588	588
Qty [Carton]/40'HC FCL	1058400	1058400	846720	1058400	846720	762048

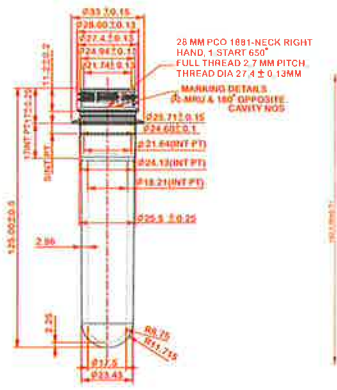
EMPAK 1881 NECK 22.25g



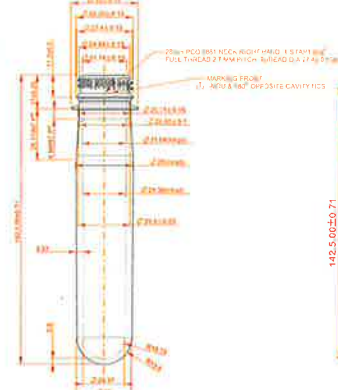
26.50g



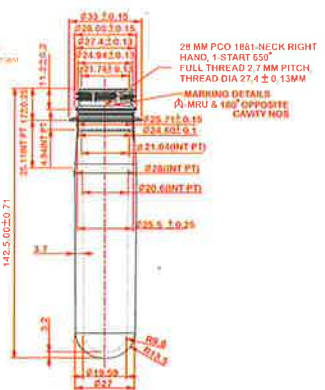
30.00g



43g



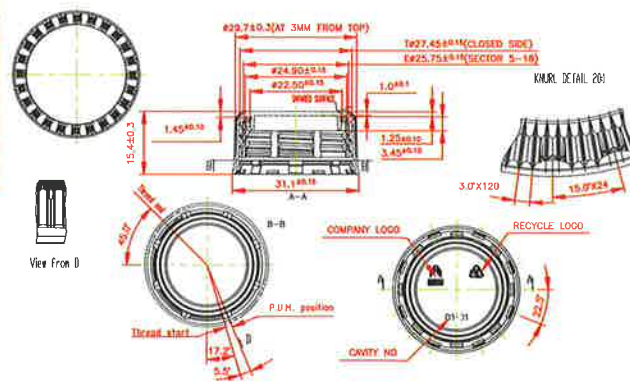
46.60g



REF No	10140217	10140170	10140218	10140240	10140220
Total Length	94.00	98.00	125.00	142.5	142.00
Neck Finish	28mm PCO1881	28mm PCO1881	28mm PCO1881	28mm PCO1881	28mm PCO 1881
Support Ring Dia	33.0	33.0	33.0	1881	33.0
Qty / Pallet or Gaylord	15,168	14040	9072	7272	7272
No of Pallet/ Gaylords/ 40' HC FCL	44	44	44	44	44
Pcs Per 40 HC	667392	617760	399168	319968	319968
Qty / Carton	1440	1296	936	648	648
No of Carton/40'HC FCL	588	588	588	588	588
Qty (Carton)/40'HC FCL	846720	762048	550368	381024	381024

Closure 1881 Neck Finish Single Pc-CSD

Ref No	1040032
Closure Weight (g)	2.15
Total Length	15.40
Neck Finish	28mm PCO 1881
Qty/Carton	6000
of Carton/40'HC FCL	600
Qty (Carton)/40'HC FCL	3600000
Qty/Pallet	150,000
No of Pallet/ Gaylords/ 40' HC FCL	20
Qty (Palletized) /40'HC	3000000



Closure 1881 Neck Finish Single Pc-Water

Ref No	1040033
Closure Weight (g)	1.95
Total Length	15.40
Neck Finish	28mm PCO 1881
Qty/Carton	6000
of Carton/40'HC FCL	600
Qty (Carton)/40'HC FCL	3600000
Qty/Pallet	150,000
No of Pallet/ Gaylords/ 40' HC FCL	20
Qty (Palletized) /40'HC	3000000

