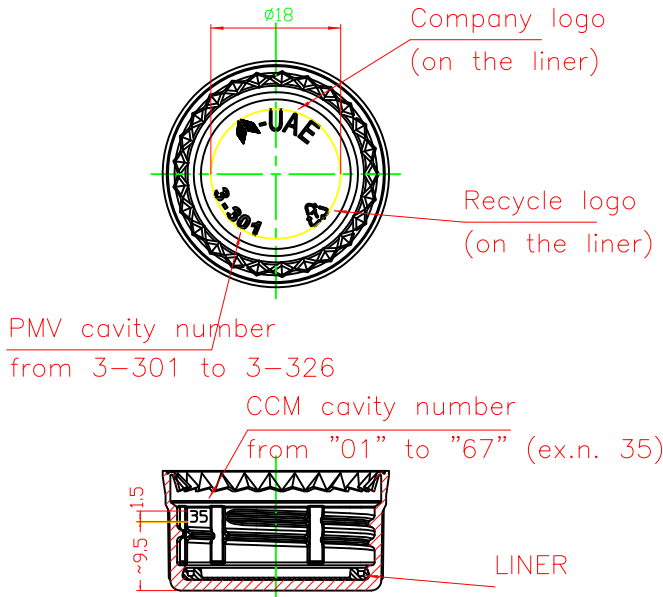
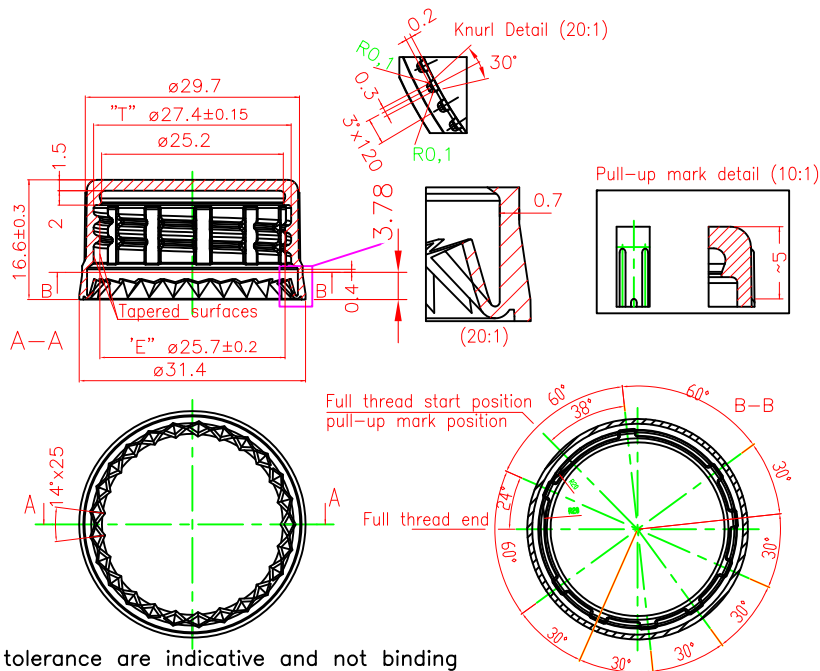


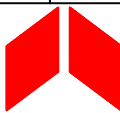

CAP WITH LINER



CAP WITHOUT LINER



Dimensions without tolerance are indicative and not binding

a	Cap & Liner weight revised after test run at Dubai-Empol from 2.8g ±0.05g to 2.75g ±0.05g	T.V.Sekar 25-02-13	Production / QA	0 ±1	0 ±0.5	0 ±5
				0.0 ±0.5	0.0 ±0.1	0.0 ±2
				0.00 ±0.15	0.00 ±0.02	0.00 ±1
				0.000 ±0.05	0.000 ±0.005	0.000 ±0.1
REV. #	DESCRIPTION OF REVISION	SIGN. & DATE	REQUEST REFERENCE	PLASTIC	TOOLING	WELDING & FAB.
				GENERAL TOLERANCES UNLESS SPECIFIED FOR		
 INTERGULF LTD., P.O. BOX 6131, SHARJAH, U.A.E		TITLE: CAP WITH LINER FOR 28mm PCO 1881 NECK		DWG. NO: 103 4 0052 DWG FILE NAME: 10340052		
DRG. DO NOT SCALE		DESIGNED BY Habib	DATE 02-10-12	MAT'L: HDPE	SHEET: 10F1	SCALE: NTF
IMPORTANT: THIS DOCUMENT AND THE INFORMATION HEREIN IS THE PROPERTY OF INTERGULF LTD., COMPANY AND IS NOT TO BE REPRODUCED, COPIED, OR DISCLOSED WITHOUT PRIOR WRITTEN PERMISSION.		CHECKED BY	DATE	WEIGHT: 2.75g ±0.05g (CAP 2.5g+LINER 0.24g)	REF: SACMI UCMO01L8501	
		APPROVED BY	DATE	ALL DIMENSIONS ARE IN mm UNLESS SPECIFIED		
		BREAK CORNERS 1.00 X 45° UNLESS SPECIFIED.				