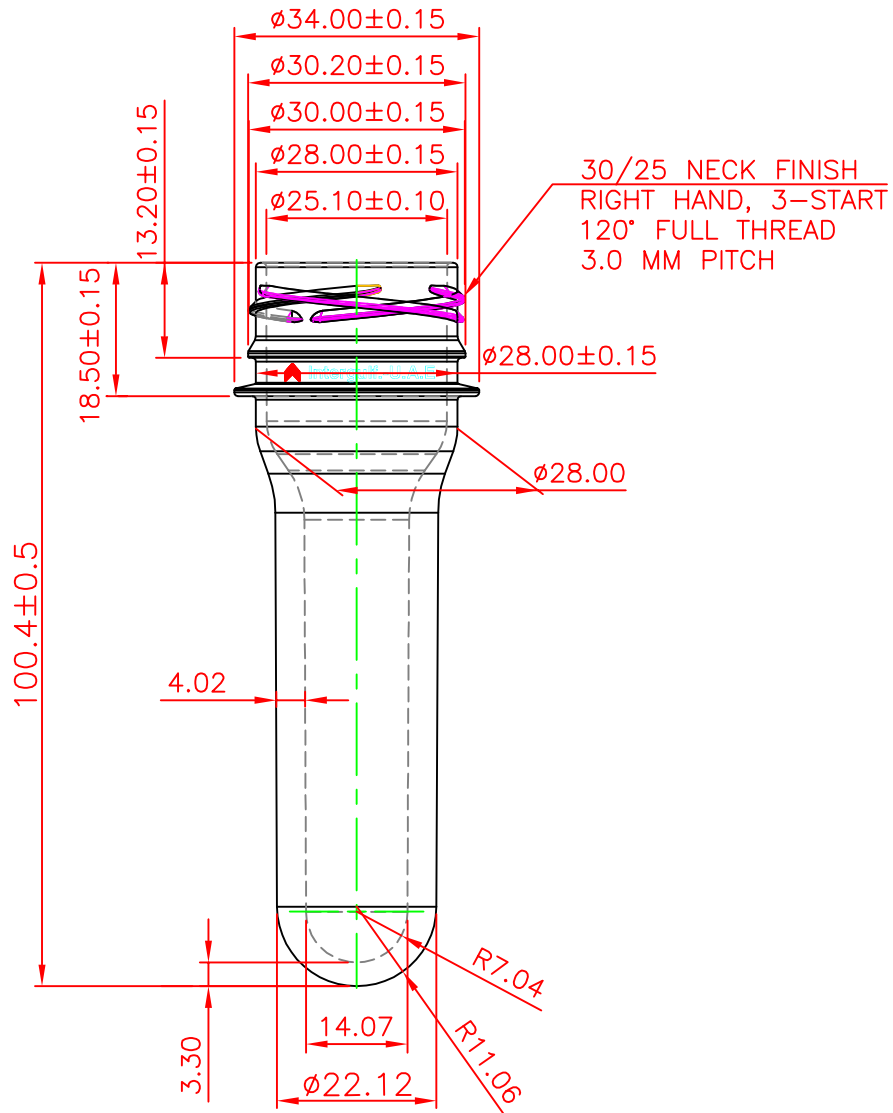



ACTUAL HUSKY MOLD PRODUCT DRAWING BASE WT.:22.9g ±0.3g



REVISION #	DESCRIPTION OF REVISION	SIGN & DATE	REQUEST REFERENCE
 INTER GULF LTD., P.O. BOX 6131, SHARJAH, U.A.E		TITLE: 27g PET PREFORM (PREFORM LENGTH 100.4mm)	
		DWG. NO: 101 4 0239 DWG FILE NAME: Z:\Empol Product Development\proE roe_Project_28\27g_30_25_neck_conv	
DRG. DO NOT SCALE	DESIGNED BY Makhsood	DATE 31-07-17	MAT'L: PET
	CHECKED BY	DATE	WEIGHT: ±0.3g 27g (S.W:1.335)
	APPROVED BY	DATE	SHEET: 10F1
IMPORTANT: THIS DOCUMENT AND THE INFORMATION HEREIN IS THE PROPERTY OF INTERGULF COMPANY AND IS NOT TO BE REPRODUCED, COPIED, OR DISCLOSED WITHOUT PRIOR WRITTEN PERMISSION.		ALL DIMENSIONS ARE IN mm UNLESS SPECIFIED GEN. TOLERANCES FOR PET PREFORMS ±0.15 AND PET BLOWING BOTTLES ±1	
		SCALE: 1:1 