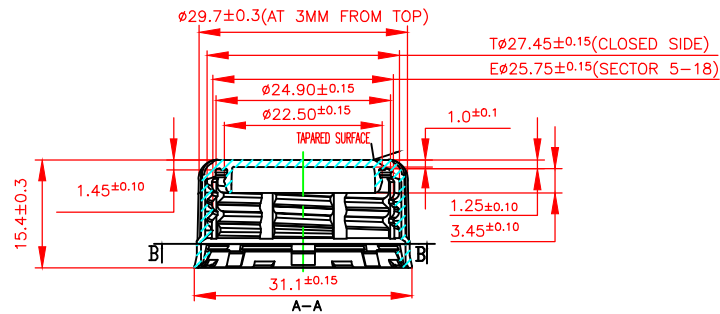
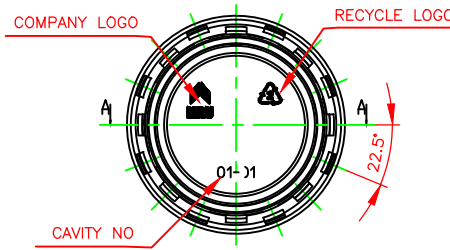
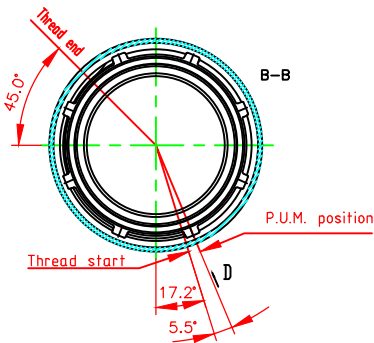
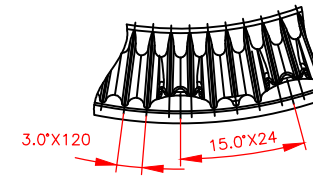


View from D




KNURL DETAIL 20:1



THREAD INFORMATION:
 - PITCH= ~ 2.7 mm
 - FULL DEPTH THREAD= 872°
 - 3 TYPES SECTION

Dimensions without tolerance are indicative and not binding
 Plug dimension measured with Optical Machine
 Other dimensions measured with Coordinate Measuring Machine
 Concavity to be included between -0.3 and +0.2 mm in top panel.

WEIGHT 2.15G
 AB1881CS08A-24K

REVISION #	DESCRIPTION OF REVISION	SIGN & DATE	REQUEST REFERENCE
	EMPAK (AFRICA) LTD., FREEPORT ZONE 7, MER ROUGE PORT LOUIS MAURITIUS WAREHOUSE NO:1	TITLE: 28MM PCO 1881 SINGLE PIECE CAP	DWG. NO: 105 4 0032
			DWG FILE NAME: 10540032
DRG. DO NOT SCALE	DESIGNED BY SREEVALSAN	DATE 10/12/2015	MAT'L: HDPE
IMPORTANT: THIS DOCUMENT AND THE INFORMATION HEREIN IS THE PROPERTY OF INTERGULF COMPANY AND IS NOT TO BE REPRODUCED, COPIED, OR DISCLOSED WITHOUT PRIOR WRITTEN PERMISSION.	CHECKED BY	DATE	WEIGHT: 2.15g
	APPROVED BY	DATE	REF: UCM00198754 CAP LOGO
ALL DIMENSIONS ARE IN mm GEN. TOLERANCES UNLESS SPECIFIED FOR PET PREFORMS ±0.15 AND PET BLOWING BOTTLES ±1			SCALE: 1:1 