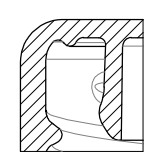
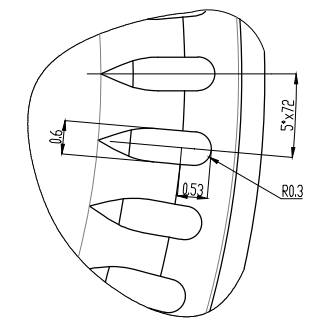


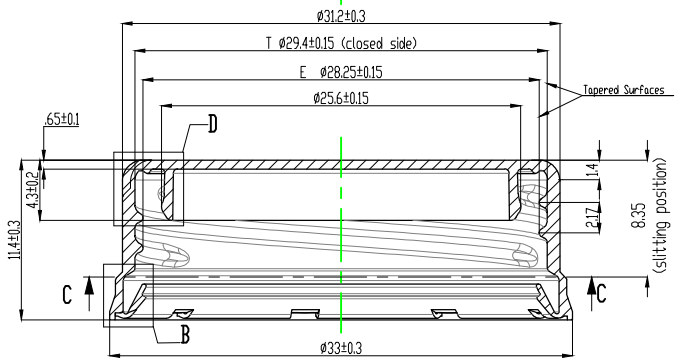
Knurl detail (8:1)



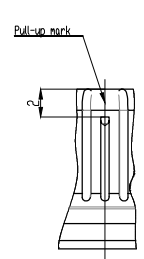
D (5:1)



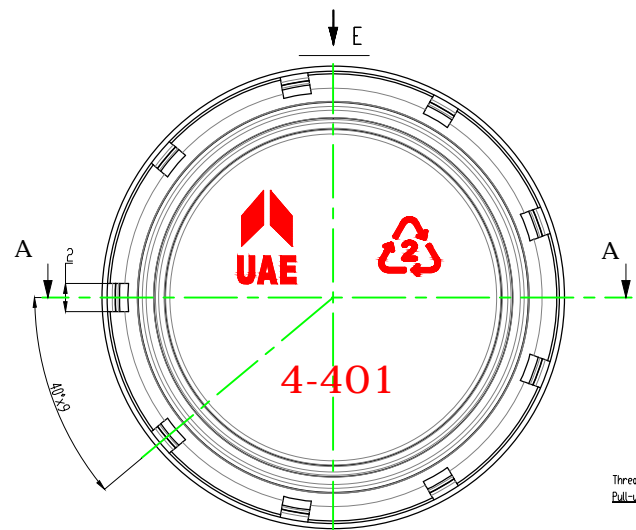
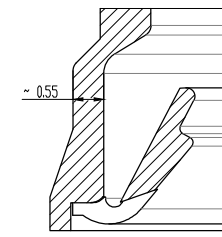
SECTION A-A



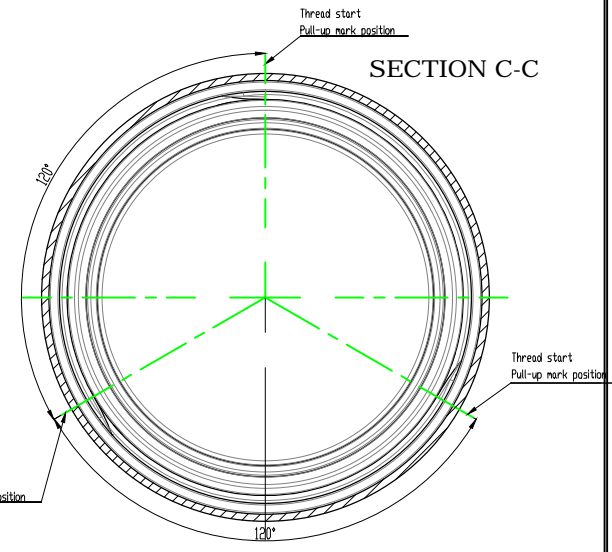
B (8:1)


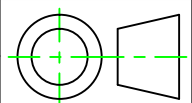


VIEW-E



SECTION C-C



| REVISION # | DESCRIPTION OF REVISION | SIGN & DATE | REQUEST REFERENCE |
|--|-------------------------|--|-------------------------------|
|  INTER GULF LTD., P.O. BOX 6131, SHARJAH, U.A.E | | TITLE: 29MM CAP FOR 29/25 NECK FINISH | |
| DRG. DO NOT SCALE | | DESIGNED BY SREEVALSAN | DATE 20/10/14 |
| IMPORTANT: THIS DOCUMENT AND THE INFORMATION HEREIN IS THE PROPERTY OF INTERGULF COMPANY AND IS NOT TO BE REPRODUCED, COPIED, OR DISCLOSED WITHOUT PRIOR WRITTEN PERMISSION. | | CHECKED BY APPROVED BY DATE | MAT'L: HDPE |
| REF : SACMI UCM00198754 | | WEIGHT: 1.35g ± 0.05 | DRG. NO: 105 2 0030 |
| ALL DIMENSIONS ARE IN mm UNLESS SPECIFIED GEN. TOLERANCES UNLESS SPECIFIED FOR PET PREFORMS ±0.15 AND PET BLOWING BOTTLES ±1 | | SHEET: 10F1 | SCALE: 2:1 |
|  | | | |