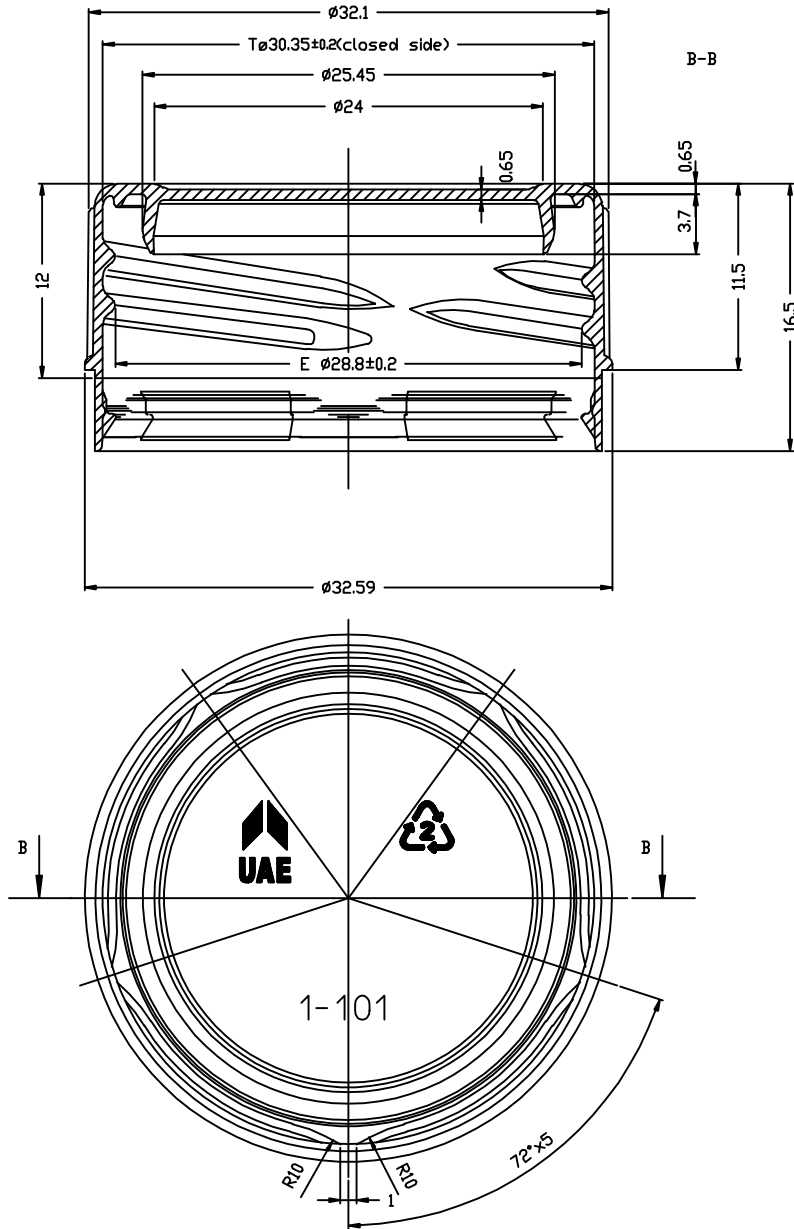
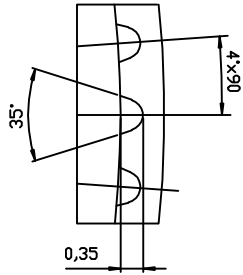

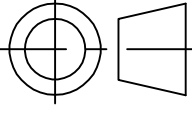


Knurl Detail (20:1)



				0 ±1	0 ±0.5	0 ±5
				0.0 ±0.5	0.0 ±0.1	0.0 ±2
				0.00 ±0.15	0.00 ±0.02	0.00 ±1
				0.000 ±0.05	0.000 ±0.005	0.000 ±0.1
REV. #	DESCRIPTION OF REVISION	SIGN. & DATE	REQUEST REFERENCE	PLASTIC	TOOLING	WELDING & FAB.
				GENERAL TOLERANCES UNLESS SPECIFIED FOR		
 INTERGULF LTD., P.O. BOX 6131, SHARJAH, U.A.E		TITLE: 30MM ONE PIECE CAP 30/25 NECK FINISH		DWG. NO: 105 4 0027 DWG FILE NAME: 10540027		
DRG. DO NOT SCALE	DESIGNED BY JAYIRUDEEN	DATE 10-02-09	MAT'L: HDPE	SHEET: 1 OF 1		SCALE: 1:1
IMPORTANT: THIS DOCUMENT AND THE INFORMATION HEREIN IS THE PROPERTY OF INTERGULF LTD., COMPANY AND IS NOT TO BE REPRODUCED, COPIED, OR DISCLOSED WITHOUT PRIOR WRITTEN PERMISSION.	CHECKED BY	DATE	WEIGHT: 1.75g	REF. DRG. UCM00198633		
	APPROVED BY	DATE	ALL DIMENSIONS ARE IN mm UNLESS SPECIFIED BREAK CORNERS 1.00 X 45° UNLESS SPECIFIED.			