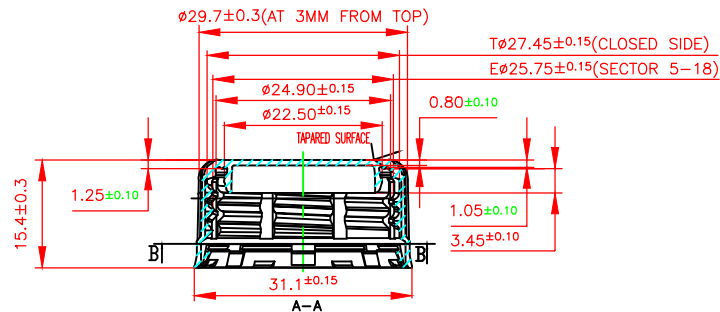
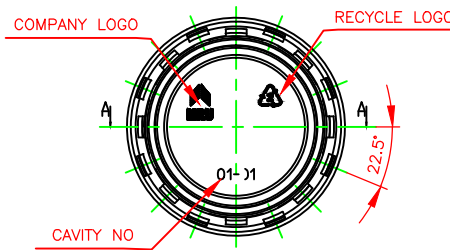
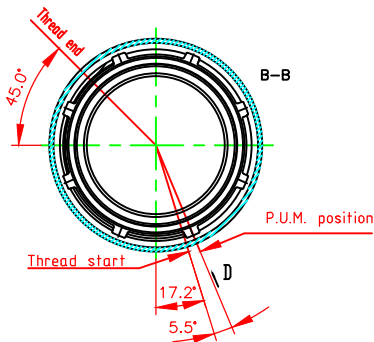
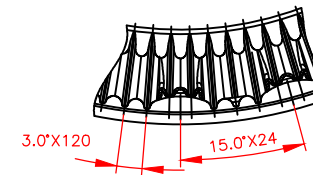


View from D



KNURL DETAIL 20:1



**THREAD INFORMATION:**  
 - PITCH= ~ 2.7 mm  
 - FULL DEPTH THREAD= 872°  
 - 3 TYPES SECTION


Dimensions without tolerance are indicative and not binding

Plug dimension measured with Optical Machine  
 Other dimensions measured with Coordinate Measuring Machine

Concavity to be included between -0.3 and +0.2 mm in top panel

WEIGHT 1.95G

AB1881CS08A-24K

REVISION #	DESCRIPTION OF REVISION	SIGN & DATE	REQUEST REFERENCE
	<b>EMPAK (AFRICA) LTD.,</b> FREEPORT ZONE 7, MER ROUGE PORT LOUIS MAURITIUS WAREHOUSE NO:1	TITLE: 28MM PCO 1881 SINGLE PIECE CAP (WATER APPLICATION)	DWG. NO: 105 4 0033
			DWG FILE NAME: 10540033
DRG. DO NOT SCALE	DESIGNED BY SREEVALSAN	DATE 27/02/16	MAT'L: HDPE
<b>IMPORTANT:</b> THIS DOCUMENT AND THE INFORMATION HEREIN IS THE PROPERTY OF INTERGULF COMPANY AND IS NOT TO BE REPRODUCED, COPIED, OR DISCLOSED WITHOUT PRIOR WRITTEN PERMISSION.	CHECKED BY	DATE	WEIGHT: 1.95g
	APPROVED BY	DATE	REF: UCM00198754 CAP LOGO
ALL DIMENSIONS ARE IN mm GEN. TOLERANCES UNLESS SPECIFIED FOR PET PREFORMS ±0.15 AND PET BLOWING BOTTLES ±1			