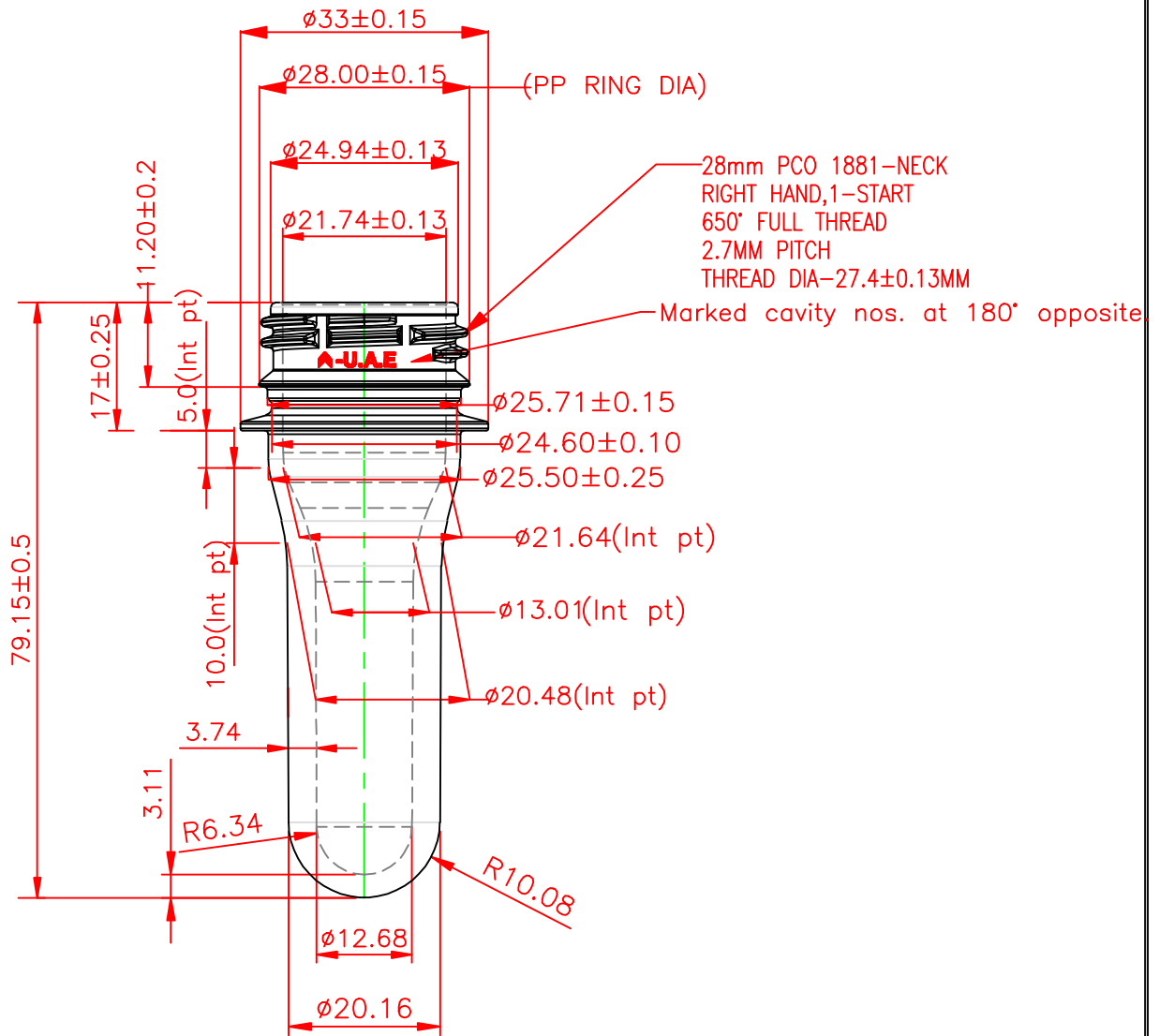

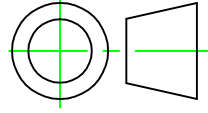


**NOTE:**  
THIS DRAWING SUPERSEEDS OF DRAWING NO: 10140165.



Ref 1 - IGL 10140125, 20g, L-83.15  
Ref 2 - ahessabi\_20120119110049\_modified

				0 ±1	0 ±0.5	0 ±5
				0.0 ±0.5	0.0 ±0.1	0.0 ±2
				0.00 ±0.15	0.00 ±0.02	0.00 ±1
				0.000 ±0.05	0.000 ±0.005	0.000 ±0.1
REV.	DESCRIPTION OF REVISION	SIGN. & DATE	REQUEST REFERENCE	PLASTIC	TOOLING	WELDING & FAB.
GENERAL TOLERANCES UNLESS SPECIFIED FOR						
 <b>INTER GULF LTD.,</b> P.O. BOX 6131, SHARJAH, U.A.E			<b>TITLE:</b> 18.76g PET PREFORM (TOTAL LENGTH 79.15mm)		<b>DWG. NO:</b> 101 4 0169 <small>DWG FILE NAME: Z/Emp.pr.dev/proefile/habib_proe3_project/preform_conv/pet_preform_for_28mm_pco_neck..</small>	
DRG. DO NOT SCALE		DESIGNED BY HABIB	DATE 04-06-12	MAT'L: PET	SHEET: 1 OF 1	SCALE: 1:1
<b>IMPORTANT:</b> THIS DOCUMENT AND THE INFORMATION HEREIN IS THE PROPERTY OF INTERGULF COMPANY AND IS NOT TO BE REPRODUCED, COPIED, OR DISCLOSED WITHOUT PRIOR WRITTEN PERMISSION.		CHECKED BY	DATE	WEIGHT: 18.76g ±0.3 (SPE,G:1.335)	REF:28mm PCO 1881 ISBT: R18, H-5804749.	
		APPROVED BY	DATE	ALL DIMENSIONS ARE IN mm UNLESS SPECIFIED GEN. TOLERANCES UNLESS SPECIFIED FOR PET PREFORMS ±0.15 AND PET BLOWING BOTTLES ±1		