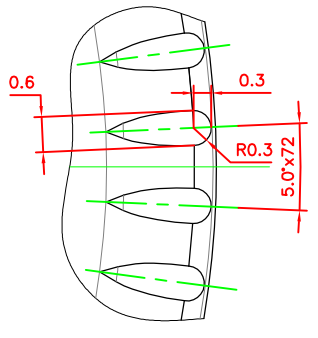
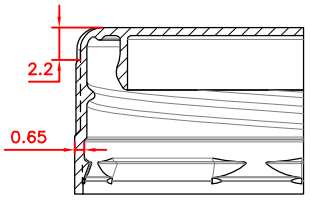


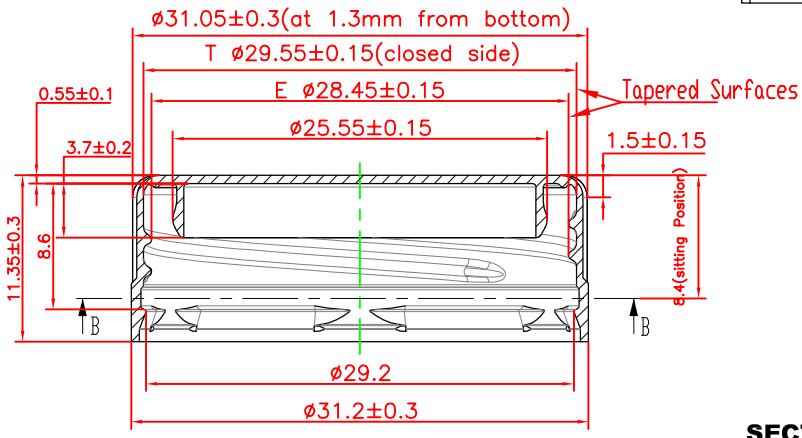
Knurl detail (8:1)



SECTION C-C

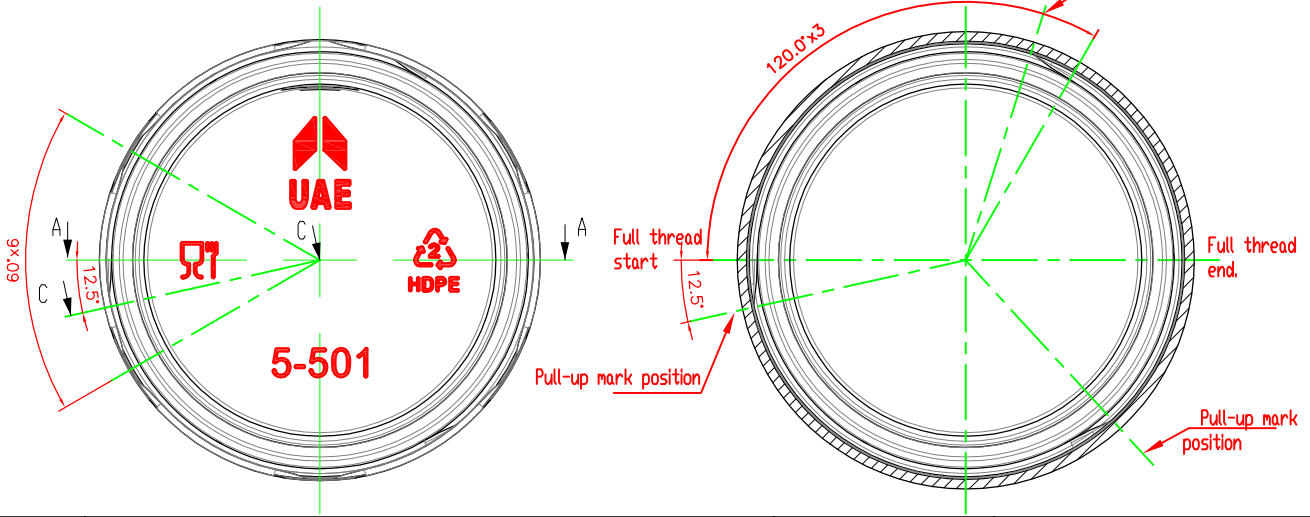



SECTION A-A



Full thread development 230°
 3 leads
 pitch: ~6.5 mm

SECTION B-B



REVISION #	DESCRIPTION OF REVISION	SIGN & DATE	REQUEST REFERENCE
 INTER GULF LTD., P.O. BOX 6131, SHARJAH, U.A.E		TITLE: 29/25 CAP (S29W7)	
		DWG. NO: 105 2 0038	
		DWG FILE NAME: 10520038	
DRG. DO NOT SCALE	DESIGNED BY JEBY JOHN	DATE 14/03/17	MAT'L: HDPE
IMPORTANT: THIS DOCUMENT AND THE INFORMATION HEREIN IS THE PROPERTY OF INTERGULF COMPANY AND IS NOT TO BE REPRODUCED, COPIED, OR DISCLOSED WITHOUT PRIOR WRITTEN PERMISSION.	CHECKED BY	DATE	REF : SACMI UCM001A8067
	APPROVED BY	DATE	WEIGHT: 1.2g \pm 0.05
			ALL DIMENSIONS ARE IN mm UNLESS SPECIFIED GEN. TOLERANCES UNLESS SPECIFIED FOR PET PREFORMS ± 0.15 AND PET BLOWING BOTTLES ± 1
			