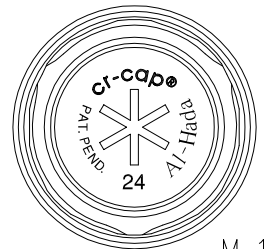
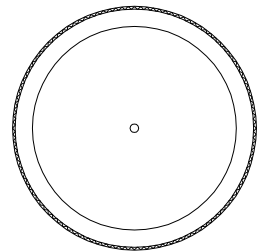
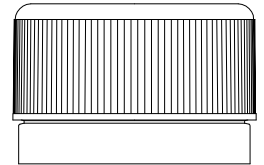
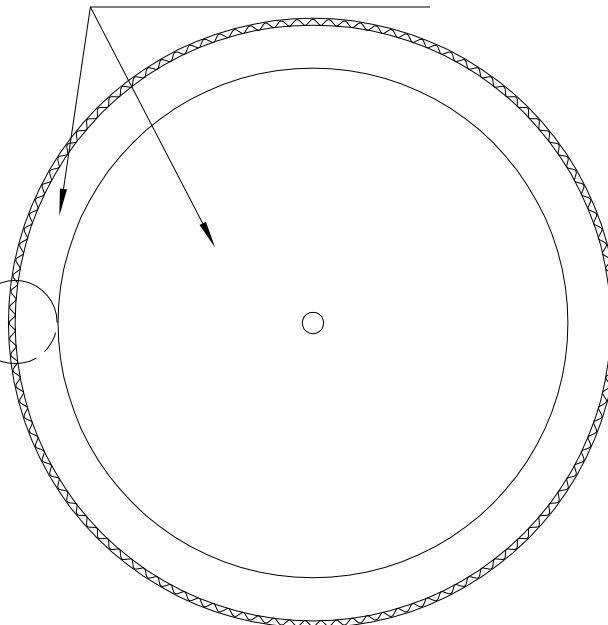
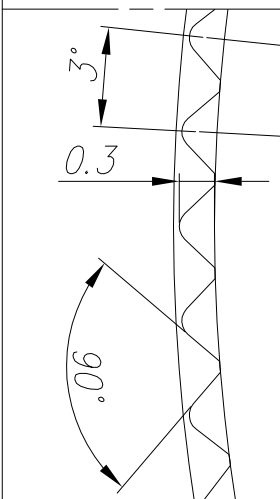


spark eroded
Ra 2.8 μ

spark eroded Ra 5.2 μ



M 1:1



Please note:

- Tolerance range covers extremes of different colours, and will be up to 50% narrower for each single colour.
- When using unsuitable colourants, tolerances may also be exceeded. Closures out of tolerance may still be used but need a separate approval.

Für diese, in unserem Eigentum verbleibende, technische Unterlage behalten wir uns alle Rechte vor.
Vervielfältigen oder Überlassung an Dritte bedarf unserer schriftlichen Genehmigung.

This drawing is our intellectual property and will be personally entrusted to the recipient.
Without having our written authorization it must neither be duplicated nor being announced or made available to a third party.

cr-cap
for 28mm neck finish

corvaglia kaltenbach
switzerland

Massstab	Gezeichnet	31.01.06	LuT
	Geprüft	31.01.06	LuT
Ablage	L:\Auftrag\0987\		



103-3